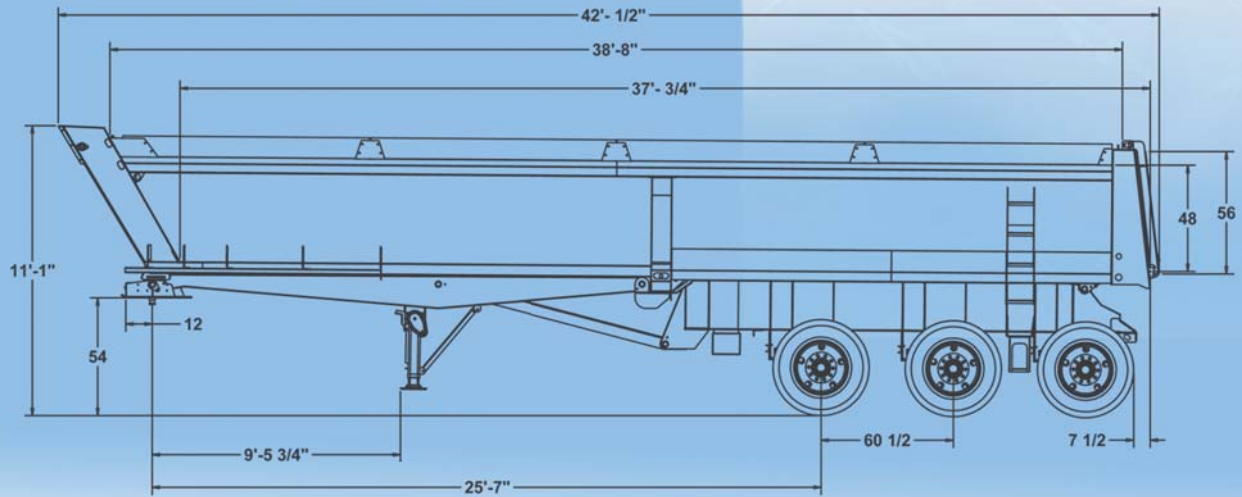




SK3400X

QUARTER FRAME END DUMP

THE PREFERRED END DUMP
FOR TRI DRIVE TRACTORS



MIDLAND...ALWAYS YOUR BETTER INVESTMENT

SK3400X

QUARTER FRAME END DUMP

BETTER PAYLOAD
INDUSTRY LEADING DESIGN
STRUCTURAL INTEGRITY



STANDARD FEATURES

BODY

Side Height: 48"
Gate Height: 56"
Body Material: 3/16" AR200

CHASSIS

King Pin Setting: 16"
Track Width: 77"
Fenders: Black Plastic Half Rounds
Hinges: Composite Bushings (Greaseless)

HYDRAULICS

Custom 265 (95-4500-265)

SUSPENSION

Intraax AAT 25K

AXLES

22,500 lbs

BRAKES

Auto Slacks
Haldex ABS (2S1M)

LIGHTING

Truck Lite Harness, common internal ground

PAINT

Endura (high performance industrial coating)
Accent Striping, double 1" tape

TIRES

General 11R22.5

WHEELS

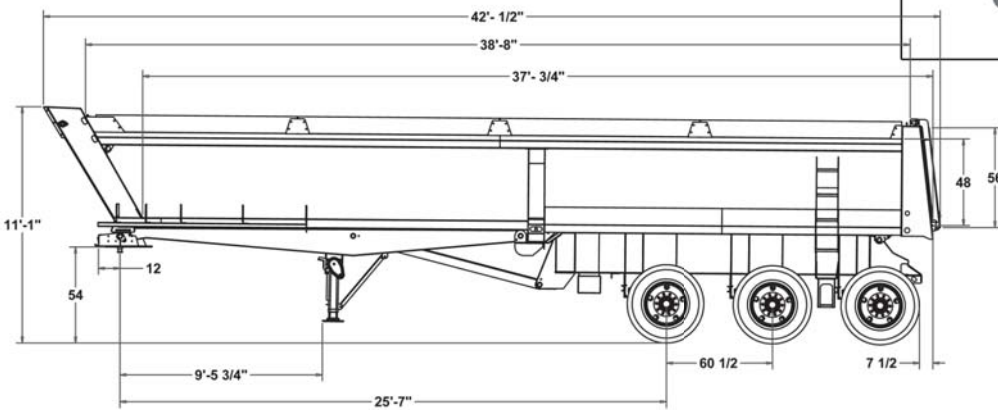
Steel, Unimount

OPTIONS

Haldex ABS 4S2M / 6S3M
Hyva 8-5-269
Hyva 9-5-269
Ladder (front driver's side)
Aluminum Fenders (Half Round/Gull Wing)
Boards/Extensions
Asphalt Lip - 6" - 12" - 16"
Turner HT 300 Suspension
High Lift Gate
Sealed Gate with 2 tailgate tighteners
Pressure Relief Valve
Flap Packages
Various Tires/Rims
Michel's Tarp System (Electric/Manual)
100% Conspicuity Tape
5" Striping Package
Life Axles

BODY OPTIONS

1/8" Hardox 450
3/16" Hardox 450
1/4" Hardox 450



High Visibility Standard Lighting



Easy Access Ladder (standard)



Unique Secure Tailgate Latch System and Asphalt Lip



Raised SK3400X showing the Quarter Frame



We also manufacture
SIDE DUMPS / BOTTOM DUMPS
PUP TRAILERS / WAGONS
FULL FRAME END DUMPS

The information, illustrations and specifications provided in this brochure are based on our latest product information at time of publication. To ensure continuous product improvements, Midland Manufacturing reserves the right to make changes at any time to products described and/or illustrated herein without notice or liability.

Sold by:



Box 249 - 36 Main Street (PR #205)
Rosenort, Manitoba CANADA
R0G 1W0

Phone: 204.746.2348
Fax: 204.746.2286

www.midlandtrailers.com