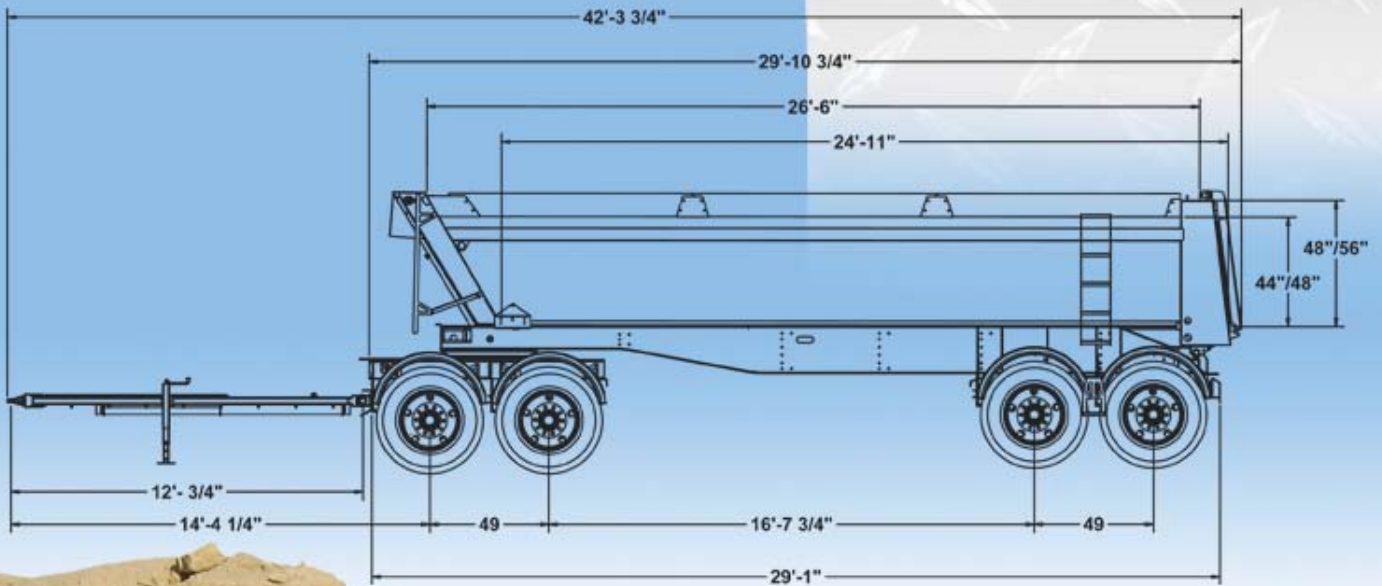




# SLX4200

## END DUMP WAGON

THE NEXT GENERATION



MIDLAND...ALWAYS YOUR BETTER INVESTMENT

# SLX4200

## END DUMP WAGON

BETTER PAYLOAD  
INDUSTRY LEADING DESIGN  
STRUCTURAL INTEGRITY



### STANDARD FEATURES

#### BODY

Side Height: 44"  
Gate Height: 48"  
Body Material: 3/16" AR200  
Unique Gate Latch System

#### CHASSIS

Frame Rail Depths: 18"  
Track Width: 77"  
Fenders: Poly Half Round  
Hinge: Composite Bushings (Greaseless)

#### HYDRAULICS

Hyva 8-5-243

#### SUSPENSION

Intraax 25K

#### AXLES

25,000 lbs

#### BRAKES

Auto Slacks  
Haldex ABS (2S1M) (on first & third axles)

#### LIGHTING

Truck Lite Harness, common internal ground

#### PAINT

Endura (high performance industrial coating)  
Accent Striping, double 1" tape

#### TIRES

General Grabber OA, 11R22.5

#### WHEELS

Steel, Unimount

### OPTIONS

48" Side Height - 56" Gate  
Haldex ABS 4S2M (on all axles)  
Mailhot Hoist (C220 8.125-5)  
Custom 235 (85-402-235)  
Custom 250 (85-402-250)  
Hyva Hoist (8-5-228)  
Ladder (front driver's side)  
Plastic / Stainless Steel Fenders  
Boards/Extensions  
LED Lighting  
Turner HT 230 Suspension  
High Lift Gate  
Sealed Gate with 2 tailgate tighteners  
Pressure Relief Valve  
Flap Packages  
Various Tires/Rims  
Michel's Tarp System (Electric/Manual)  
100% Conspicuity Tape  
5" Striping Package  
Aluminum Light Bar (No Push Brackets)  
Aluminum Stone Guards

#### BODY OPTIONS

1/8" Hardox 450  
3/16" Hardox 450  
1/4" Hardox 450

Valves Protected in Sealed Box



Easy Access Ladder (Standard)



Heavy Duty Greaseless Hinge



Aluminum Lite Bar Option & Rear Post Lighting



High Visibility Standard Lighting



Dual Action Gate Latch System  
(Service Free and self adjusting)



Sealed Gate Option

Flip Tarp with Electric Kit



Aluminum Stone Guards

We also manufacture  
GRAVEL BOXES / BOTTOM DUMPS  
PUP TRAILERS / SIDE DUMPS

The information, illustrations and specifications provided in this brochure are based on our latest product information at time of publication. To ensure continuous product improvements, Midland Manufacturing reserves the right to make changes at any time to products described and/or illustrated herein without notice or liability.



Box 249 - 36 Main Street (PR #205)  
Rosenort, Manitoba CANADA  
R0G 1W0

Phone: 204.746.2348  
Fax: 204.746.2286

www.midlandtrailers.com

Sold By: