



SX2400

QUARTER FRAME
END DUMP



MIDLAND...ALWAYS YOUR BETTER INVESTMENT

SX2400

QUARTER FRAME END DUMP

BETTER PAYLOAD
INDUSTRY LEADING DESIGN
STRUCTURAL INTEGRITY



STANDARD FEATURES

BODY

Side Height: 38"
Gate Height: 48"
Floor & Gate Material: 3/16" AR200
Unique Gate Locking Mechanism

CHASSIS

Track Width: 77"
King Pin Setting: 16"
Hinge: Composite Bushings (Greaseless)

HYDRAULIC

220 Custom (85-402-220) - 27'3" SX2400
250 Custom (85-466-250) - 27'3" SX2400 OH & Neg.

SUSPENSION

Reyco 21B - 8 Leaf (49" Spread)

AXLES

22,500 lbs

BRAKES

Auto Slacks
Haldex ABS (2S1M)

LIGHTING

Truck Lite Harness, common internal ground

PAINT

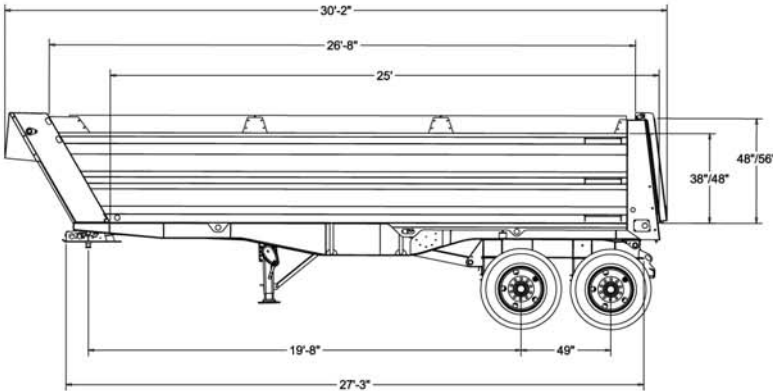
Endura (high performance industrial coating)
Accent Striping, double 1" tape

TIRES

General Grabber OA, 11R22.5

WHEELS

Steel, Unimount



OPTIONS

48" Side Height - 56" Gate
Haldex ABS 4S2M / 6S3M
Mailhot Hoist (C250 8.125-5)
Hyva Hoist (8-5-228)
Ladder (front driver's side)
Boards/Extensions
Asphalt Lip - 6" - 12" - 16"
LED Lighting
Side Marker Lights
Ridewell 240 Suspension
Turner HT 230 Suspension
Turner HT 300 Suspension
High Lift Gate
Sealed Gate with 2 tailgate tighteners
Pressure Relief Valve
Flap Packages
Various Tires/Rims
Michel's Tarp System (Electric/Manual)
100% Conspicuity Tape
5" Striping Package

BODY FLOOR OPTIONS

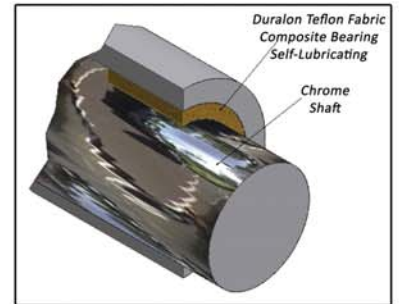
1/8" Hardox 450
3/16" Hardox 450
1/4" Hardox 450

MODELS AVAILABLE

27'3"
27'3" Overhang



Asphalt Lip



Hinge, Strut Pins, and Tailgate Hinge Pins



Heavy Duty Upper Coupler



Dual Action Gate Latch System (Service Free and self adjusting)



Rear Gate with Sealed Gate Option and High Visibility Lighting

We also manufacture
WAGONS / BOTTOM DUMPS
PUP TRAILERS / SIDE DUMPS



Box 249 - 36 Main Street (PR #205)
Rosenort, Manitoba CANADA
R0G 1W0

Phone: 204.746.2348
Fax: 204.746.2286

www.midlandtrailers.com

Sold by:

The information, illustrations and specifications provided in this brochure are based on our latest product information at time of publication. To ensure continuous product improvements, Midland Manufacturing reserves the right to make changes at any time to products described and/or illustrated herein without notice or liability.