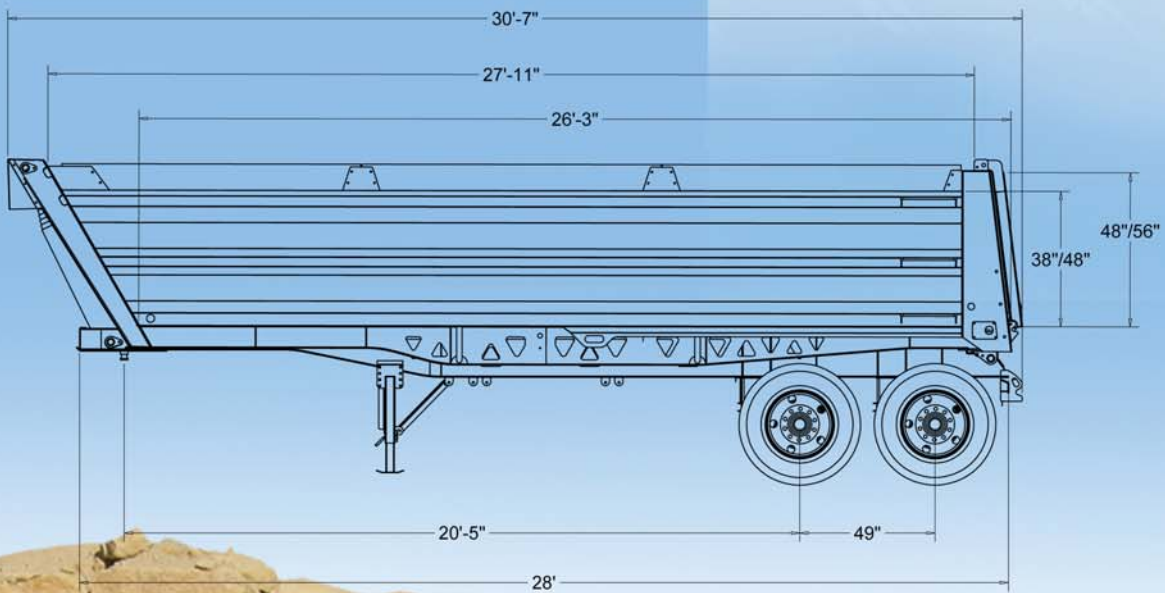




XL2000 XL3000

END DUMP



MIDLAND...ALWAYS YOUR BETTER INVESTMENT

XL2000 XL3000 END DUMP

BETTER PAYLOAD
INDUSTRY LEADING DESIGN
STRUCTURAL INTEGRITY

STANDARD FEATURES

BODY

Side Height: 38"
Side Height: 48" (XL2000 - 24')
Front: 60" - 10 Ga. HT
Floor: 3/16" AR200
Gate: 38" - 10 Ga. HT

CHASSIS

Frame Rail Depths: 18"
King Pin Setting: 16"
Fenders: Front-Flat Aluminum
Hinges: Composite Bushings (Greaseless)

HOIST

220" - XL2000 (24'6")
250" - XL2000 (28')
265" - XL3000 (35')

SUSPENSION

Ridewell 240 Air Suspension

AXLES

22,500 lbs

BRAKES

Auto Slacks
Haldex ABS (2S1M)

LIGHTING

Truck Lite Harness, common internal ground

PAINT

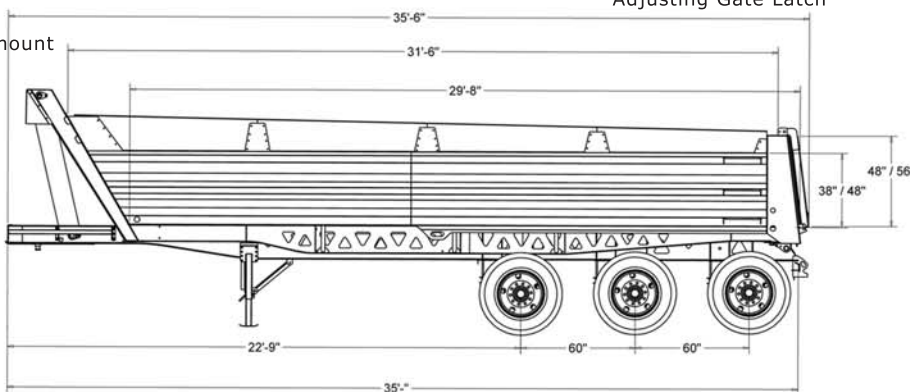
Endura (high performance industrial coating)
Accent Striping, double 1" tape
50% Conspicuity Tape

TIRES

GGOA 11R22.5

WHEELS

Steel, Unimount



OPTIONS

9" Hoist
Two-Speed Landing Gear
48" Side Height on 28', 35' models
ABS 4S2M/6S3M
Tarp Systems
54", 60" or 72" Axle Spreads
High Lift Gate (Air)
LED Lights
Various Side Boards
Body Liners
Flap Packages
Sealed Gate
Asphalt Lip
Various Tires/Wheels
Pressure Relief Valve

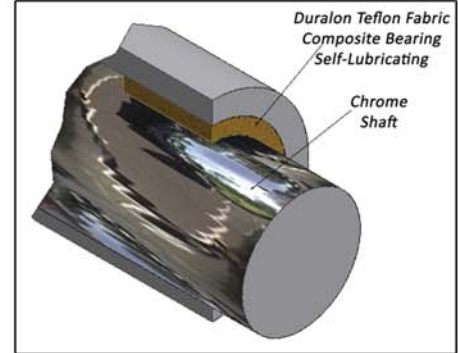
BODY (FLOOR) OPTIONS

3/16" Hardox 450
1/4" Hardox 450

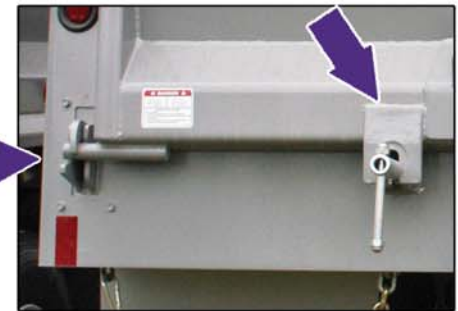
Heavy Duty Greaseless Hinge



Hinge and Tailgate Hinge Pins



Sealed Gate Option



Unique Service Free Self-Adjusting Gate Latch

High Visibility Lighting



We also manufacture
SIDE DUMPS / BOTTOM DUMPS
PUP TRAILERS / WAGONS

The information, illustrations and specifications provided in this brochure are based on our latest product information at time of publication. To ensure continuous product improvements, Midland Manufacturing reserves the right to make changes at any time to products described and/or illustrated herein without notice or liability.

Sold by:

Box 249 - 36 Main Street (PR 205)
Rosenort, Manitoba Canada
R0G 1W0

Phone 204.746.2348
Fax 204.746.2286



www.midlandtrailers.com