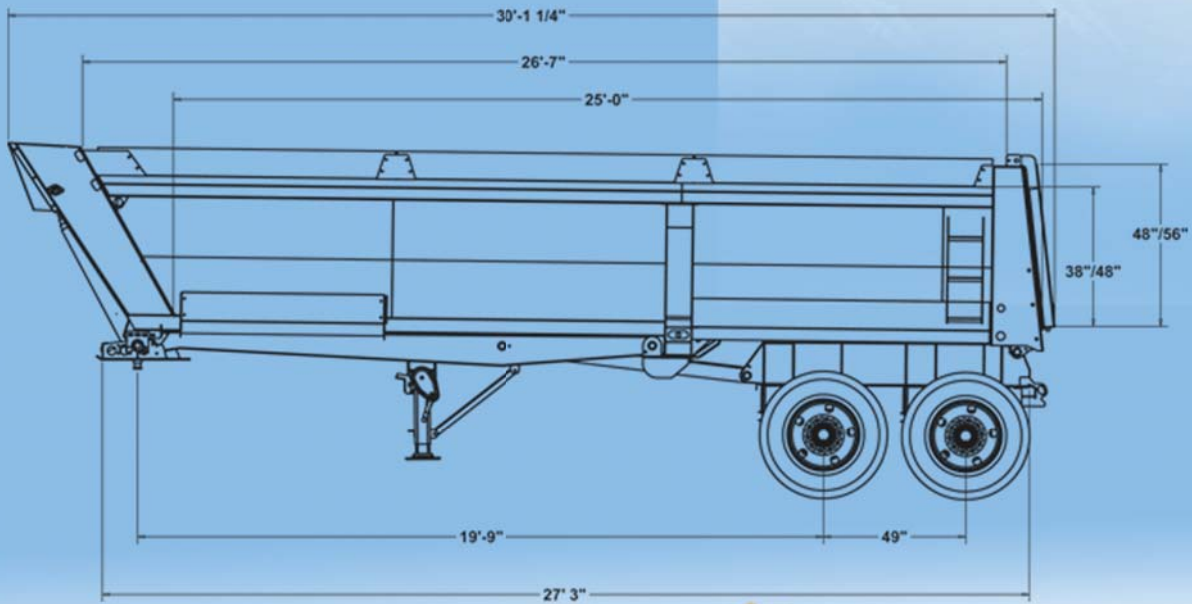




SK2400

QUARTER FRAME END DUMP



MIDLAND...ALWAYS YOUR BETTER INVESTMENT

SK2400

QUARTER FRAME END DUMP

BETTER PAYLOAD
INDUSTRY LEADING DESIGN
STRUCTURAL INTEGRITY



STANDARD FEATURES

BODY

Side Height: 44"
Gate Height: 48"
Body Material: 3/16" AR200

CHASSIS

Frame Rail Depths: 18"
King Pin Setting: 16"
Track Width: 77"
Fenders: Black Plastic Half Rounds
Hinges: Composite Bushings (Greaseless)

HYDRAULICS

Custom 220 (85-511-220)

SUSPENSION

Reyco 21B - 8 Leaf (49" Spread)

AXLES

22,500 lbs

BRAKES

Auto Slacks
Haldex ABS (2S1M)

LIGHTING

Truck Lite Harness, common internal ground

PAINT

Endura (high performance industrial coating)
Accent Striping, double 1" tape

TIRES

General 11R22.5

WHEELS

Steel, Unimount

OPTIONS

48" Side Height - 56" Gate
Haldex ABS 4S2M / 6S3M
Mailhot Hoist (C220 8.125-5)
Hyva 8-5-228
Ladder (front driver's side)
Aluminum Fenders (Half Round/Gull Wing)
Boards/Extensions
Asphalt Lip - 6" - 12" - 16"
LED Lighting
Ridewell 240 Suspension
High Lift Gate
Sealed Gate with 2 tailgate tighteners
Pressure Relief Valve
Flap Packages
Various Tires/Rims
Michel's Tarp System (Electric/Manual)
100% Conspicuity Tape
5" Striping Package

BODY OPTIONS

1/8" Hardox 450
3/16" Hardox 450
1/4" Hardox 450

Rear Gate with Standard High Visibility Lighting



Driver side

Passenger side

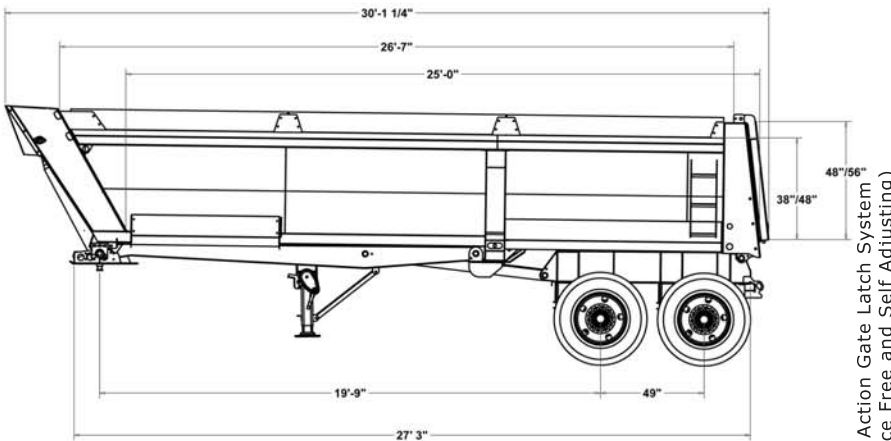


Side Hinge option

Easy Access Ladder (standard)



Raised SK2400 showing the Quarter Frame



Dual Action Gate Latch System (Service Free and Self Adjusting)



We also manufacture
SIDE DUMPS / BOTTOM DUMPS
PUP TRAILERS / WAGONS

The information, illustrations and specifications provided in this brochure are based on our latest product information at time of publication. To ensure continuous product improvements, Midland Manufacturing reserves the right to make changes at any time to products described and/or illustrated herein without notice or liability.

Sold by:



Box 249 - 36 Main Street (PR #205)
Rosenort, Manitoba CANADA
R0G 1W0

Phone: 204.746.2348
Fax: 204.746.2286

www.midlandtrailers.com